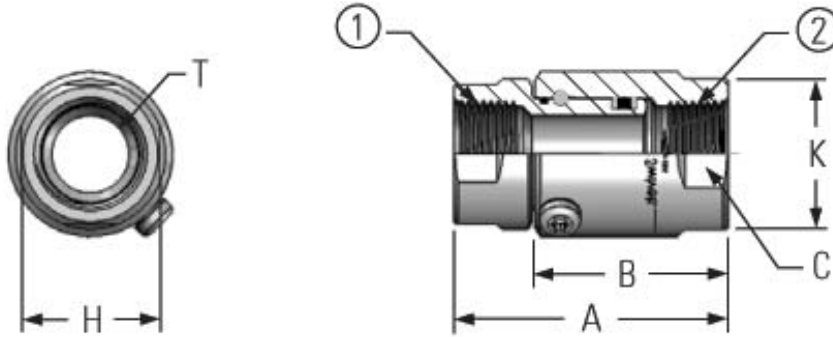


55-10202-AL

Female Pipe Stem x Female Pipe Body

*Zinc Plated (sizes 04 to 16)
Nickel Plated (sizes 20 to 40)*

® Atlas is a Registered Trademark of Asahi Glass Co. LTD. *Atlas® Seal*



Part Number	Reference	① Stem	② Body	Body Size	A	B	C	H	K	T	Max PSI
55-10202-02-02-02-AL	SS 2 FP 12.5 X FP 12.5-Z-AL	1/8 - 27	1/8 - 27	1/8	1.79	1.23	0.63	0.63	0.73	0.16	5,000
55-10202-04-04-04-AL	SS 4 FP 25 X FP 25-Z-AL	1/4 - 18	1/4 - 18	1/4	2.32	1.47	0.88	0.75	0.99	0.25	5,000
55-10202-06-06-08-AL	SS 8 FP 38 X FP 38-Z-AL	3/8 - 18	3/8 - 18	1/2	2.53	1.55	1.13	0.88	1.29	0.53	5,000
55-10202-08-08-08-AL	SS 8 FP 50 X FP 50-Z-AL	1/2 - 14	1/2 - 14	1/2	2.69	1.70	1.25	1.13	1.48	0.53	5,000
55-10202-12-12-12-AL	SS 12 FP 75 X FP 75-Z-AL	3/4 - 14	3/4 - 14	3/4	2.69	1.70	1.50	1.38	1.68	0.69	4,500
55-10202-16-16-16-AL	SS 16 FP 100 X FP 100-Z-AL	1 - 11 1/2	1 - 11 1/2	1"	3.43	2.25	1.75	1.63	1.92	0.91	4,000
55-10202-20-20-20-AL	SS 20 FP 125 X FP 125-Z-AL	1 1/4 - 11 1/2	1 1/4 - 11 1/2	1 1/4	3.68	2.30	2.13	2.00	2.36	1.18	4,000
55-10202-24-24-24-AL	SS 24 FP 150 X FP 150-NI-AL	1 1/2 - 11 1/2	1 1/2 - 11 1/2	1 1/2	4.38	3.00	2.38	2.38	2.55	1.31	4,000
55-10202-32-32-32-AL	SS 32 FP 200 X FP 200-NI-AL	2 - 11 1/2	2 - 11 1/2	2"	4.86	3.48	2.88	2.88	3.05	1.78	3,000