

# PRESSURE CONNECTIONS CORP.

# Inline Series

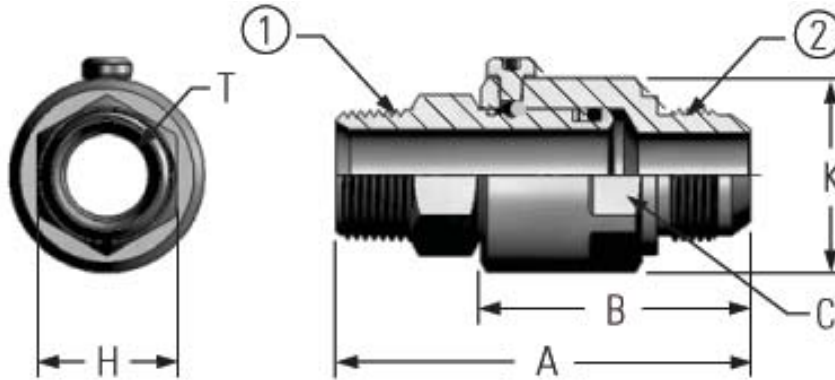
## 55-10103

Male Pipe Stem  
x Male 37° JIC Flare Body

Ref. Parker PS610103

*Zinc Plated (sizes 04 to 16)*  
*Nickel Plated (sizes 20 to 40)*

© Viton is a Registered Trademark of DuPont. *Viton® Seal*



| Part Number       | Reference                 | ①<br>Stem      | ②<br>Body   | Body<br>Size | A    | B    | C    | H    | K    | T    | Max<br>PSI |
|-------------------|---------------------------|----------------|-------------|--------------|------|------|------|------|------|------|------------|
| 55-10103-04-06-04 | SS 4 MP 25 X MJ 6-Z-V     | 1/4 - 18       | 9/16 - 18   | 1/4          | 2.70 | 1.72 | 1.00 | 0.63 |      | 0.25 | 5,000      |
| 55-10103-06-06-04 | SS 4 MP 38 X MJ 6-Z-V     | 3/8 - 18       | 9/16 - 18   | 1/4          | 2.70 | 1.72 | 1.00 | 0.75 |      | 0.25 | 5,000      |
| 55-10103-06-08-08 | SS 8 MP 38 X MJ 8-Z-V     | 3/8 - 18       | 3/4 - 16    | 1/2          | 3.01 | 1.90 | 1.38 | 1.00 | 1.48 | 0.41 | 5,000      |
| 55-10103-06-10-08 | SS 8 MP 38 X MJ 10-Z-V    | 3/8 - 18       | 7/8 - 14    | 1/2          | 3.16 | 2.05 | 1.38 | 1.00 | 1.48 | 0.41 | 5,000      |
| 55-10103-08-08-08 | SS 8 MP 50 X MJ 8-Z-V     | 1/2 - 14       | 3/4 - 16    | 1/2          | 3.14 | 1.90 | 1.38 | 1.00 | 1.48 | 0.41 | 5,000      |
| 55-10103-08-10-08 | SS 8 MP 50 X MJ 10-Z-V    | 1/2 - 14       | 7/8 - 14    | 1/2          | 3.29 | 2.05 | 1.38 | 1.00 | 1.48 | 0.48 | 5,000      |
| 55-10103-12-12-12 | SS 12 MP 75 X MJ 12-Z-V   | 3/4 - 14       | 1 1/16 - 12 | 3/4          | 3.36 | 2.13 | 1.50 | 1.13 | 1.68 | 0.61 | 4,500      |
| 55-10103-16-16-16 | SS 16 MP 100 X MJ 16-Z-V  | 1 - 11 1/2     | 15/16 - 12  | 1"           | 4.08 | 2.65 | 1.75 | 1.38 | 1.92 | 0.83 | 4,000      |
| 55-10103-20-20-20 | SS 20 MP 125 X MJ 20-Z-V  | 1 1/4 - 11 1/2 | 1 5/8 - 12  | 1 1/4        | 4.36 | 2.85 | 2.13 | 1.75 | 2.36 | 1.08 | 4,000      |
| 55-10103-24-24-24 | SS 24 MP 150 X MJ 24-NI-V | 1 1/2 - 11 1/2 | 1 7/8 - 12  | 1 1/2        | 5.12 | 3.44 | 2.38 | 2.00 | 2.56 | 1.31 | 4,000      |