

90° Series

PRESSURE CONNECTIONS CORP.

55-90510

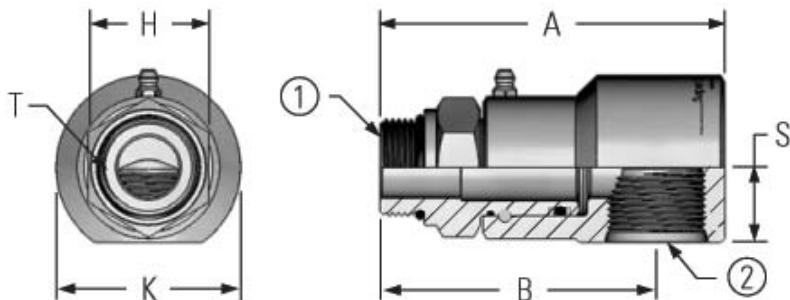
**Male O-Ring Boss Stem
x Female O-Ring Boss Body 90°**

Ref. Parker PS690510

Zinc Plated (sizes 04 to 16)

Nickel Plated (sizes 20 to 40)

Viton® Seal © Viton is a Registered Trademark of DuPont.



Part Number	Reference	① Stem	② Body	Body Size	A	B	H	K	S	T	Max PSI
55-90510-04-06-04	9 SS 4 MO 4 X FO 6-Z-V	7/16 - 20	9/16 - 18	1/4	2.73	2.22	0.63	1.29	0.54	0.17	5,000
55-90510-06-06-04	9 SS 4 MO 6 X FO 6-Z-V	9/16 - 18	9/16 - 18	1/4	2.73	2.22	0.75	1.29	0.54	0.25	5,000
55-90510-08-08-08	9 SS 8 MO 8 X FO 8-Z-V	3/4 - 16	3/4 - 16	1/2	3.09	2.50	1.00	1.66	0.70	0.39	5,000
55-90510-10-08-08	9 SS 8 MO 10 X FO 8-Z-V	7/8 - 14	3/4 - 16	1/2	3.21	2.62	1.00	1.66	0.70	0.48	5,000
55-90510-12-12-12	9 SS 12 MO 12 X FO 12-Z-V	1 1/16 - 12	1 1/16 - 12	3/4	3.71	2.88	1.38	2.17	0.90	0.61	4,500
55-90510-16-16-16	9 SS 16 MO 16 X FO 16-Z-V	1 5/16 - 12	1 5/16 - 12	1"	4.62	3.71	1.63	2.48	1.01	0.83	4,000
55-90510-20-20-20	9 SS 20 MO 20 X FO 20-Z-V	1 5/8 - 12	1 5/8 - 12	1 1/4	5.13	4.04	1.88	2.98	1.18	1.08	4,000