

# 55-10909

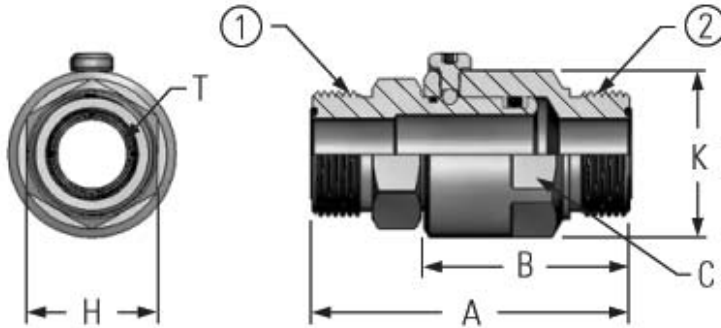
## Male O-Ring Face Seal Stem x Male O-Ring Face Seal Body

Ref. Parker PS61JMJM

*Zinc Plated (sizes 04 to 16)*

*Nickel Plated (sizes 20 to 40)*

© Viton is a Registered Trademark of DuPont. *Viton® Seal*



Part Number	Reference	① Stem	② Body	Body Size	A	B	C	H	K	T	Max PSI
55-10909-06-06-04	SS 4 MFS 6 X MFS 6-Z-V	11/16 - 16	11/16 - 16	1/4	2.42	1.64	1.00	0.75	1.00	0.25	5,000
55-10909-08-08-08	SS 8 MFS 8 X MFS 8-Z-V	13/16 - 16	13/16 - 16	1/2	2.63	1.71	1.38	1.00	1.38	0.39	5,000
55-10909-10-10-08	SS 8 MFS 10 X MFS 10-Z-V	1 - 14	1 - 14	1/2	2.94	1.82	1.38	1.13	1.38	0.48	5,000
55-10909-12-12-12	SS 12 MFS 12 X MFS 12-Z-V	1 3/16 - 12	1 3/16 - 12	3/4	3.12	1.90	1.50	1.25	1.50	0.61	4,500
55-10909-16-16-16	SS 16 MFS 16 X MFS 16-Z-V	1 7/16 - 12	1 7/16 - 12	1"	3.64	2.36	1.75	1.50	1.75	0.81	4,000
55-10909-20-20-20	SS 20 MFS 20 X MFS 20-Z-V	1 11/16 - 12	1 11/16 - 12	1 1/4	3.86	2.50	2.13	1.75	2.13	1.02	4,000
55-10909-24-24-24	SS 24 MFS 24 X MFS 24-NI-V	2 - 12	2 - 12	1 1/2	4.48	3.05	2.38	2.13	2.38	1.31	4,000